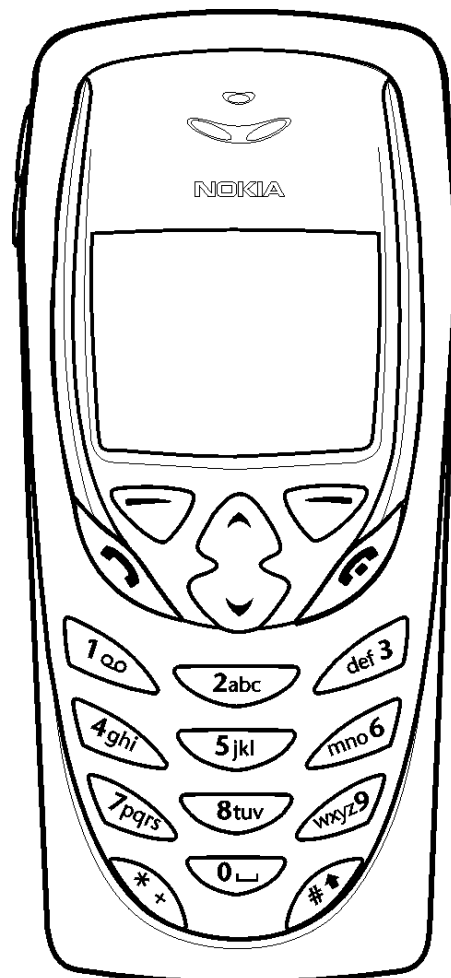


PAMS Technical Documentation NHM-7 Series Transceivers

General Information



CONTENTS

The Product 3
 Handportable 3
 Desktop Option 4
Product and Module List 5
General Specifications of Transceiver NHM-7 6

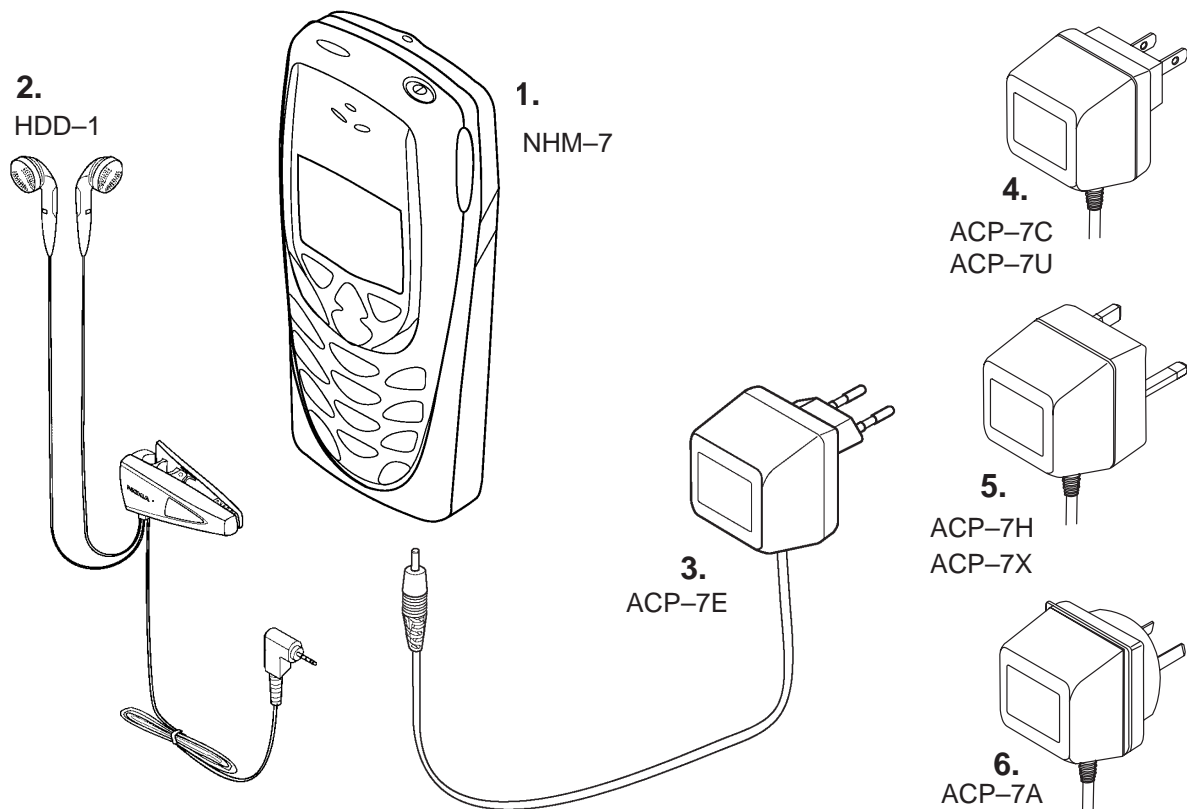
The Product

The NHM-7 is a dual band handportable mobile telephone for the E-GSM 900 and GSM1800 networks. It is both GSM900 phase 2 power class 4 transceiver (2W) and GSM1800 power class 1 (1W) transceiver.

The main transceiver features are:

- Integrated FM radio
- GPRS
- Internal vibra
- Plug-in SIM card below the back cover of the phone
- Back mounted antenna (no connection for external antenna)
- Jack style UI with two soft keys
- Full graphic display
- Integrated IR link & internal data
- Plug & play HF support

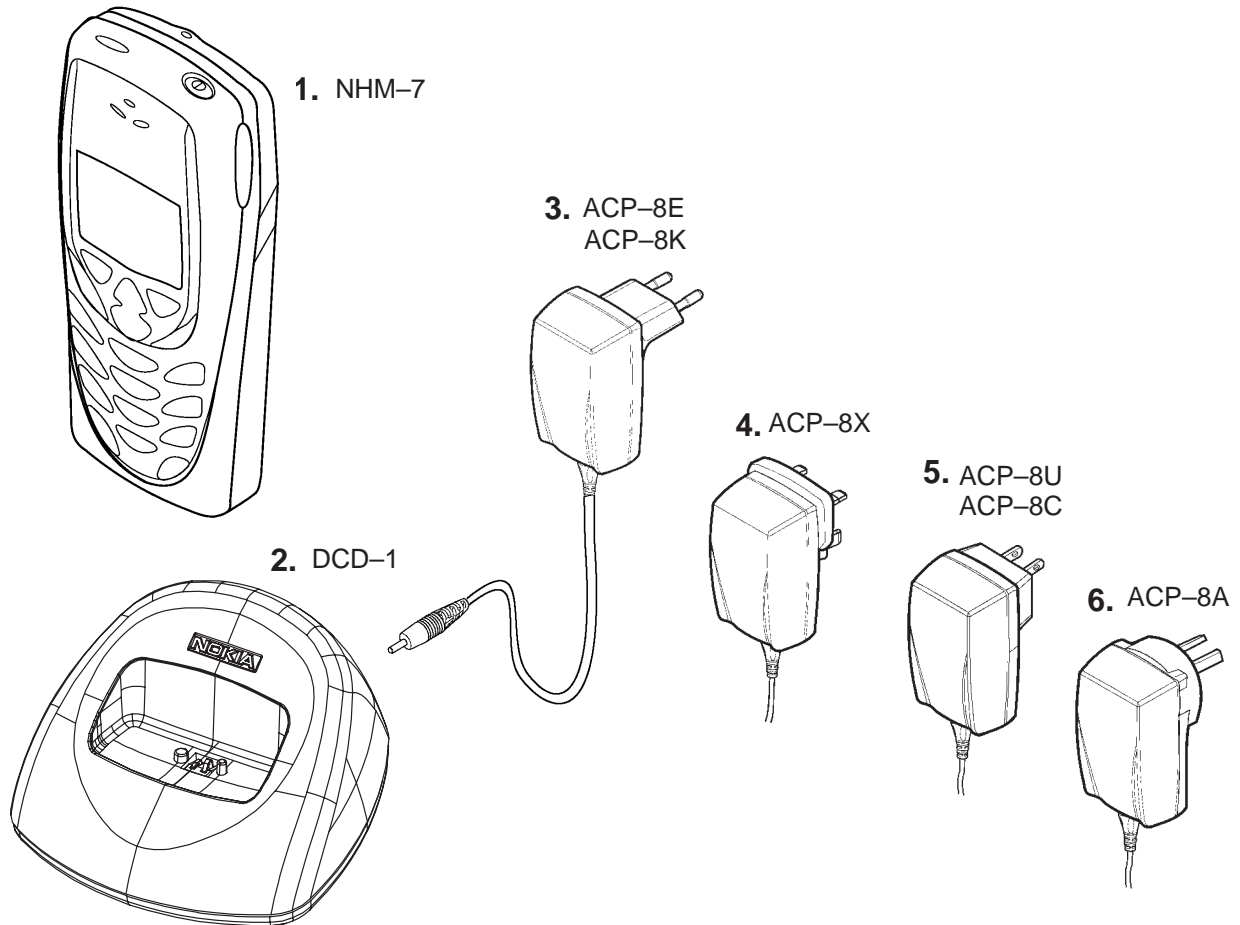
Handportable



Item Name:	Type code:	Material code:
1. Transceiver Standard battery Li-ion	See Product Variants BLB-2	0271570
2. Headset	HDD-1	0273302
3. Standard Charger (Euro plug) 207-253 Vac	ACP-7E	0675144
4. Standard Charger (US plug) 108-132 Vac	ACP-7U	0675143
Standard Charger (US plug) 198-242 Vac	ACP-7C	0675158
5. Standard Charger (UK plug) 207-253 Vac	ACP-7X	0675145
Standard Charger (UK plug) 180-220 Vac	ACP-7H	0675146
6. Standard Charger (Australia) 216-264 Vac	ACP-7A	0675148

Desktop Option

The desktop option allows the user to charge the phone from the mains. Besides these optional chargers also ACP-7 can be used.



Item Name:	Type code:	Material code:
1. Transceiver	See Product Variants	
2. Desk Stand	DCD-1	0272865
3. Travel Charger Euro plug 90-264 Vac	ACP-8E	0272169
Travel Charger Korea plug 90-264 Vac	ACP-8K	0273111
4. Travel Charger UK plug 90-264 Vac	ACP-8X	0272172
5. Travel Charger US plug 90-264 Vac	ACP-8U	0675196
Travel Charger China plug 90-264 Vac	ACP-8C	0675211
6. Travel Charger Australia plug 90-264 Vac	ACP-8A	0271637

Product and Module List

Unit/type:	Product code:
NHM-7 Transceiver	See Product Variants
BLB-2 Standard Battery Li-ion	0271570
ACP-7E Standard Charger (EUR) 207-253 Vac	0675144
ACP-7U Standard Charger (US) 108-132 Vac	0675143
ACP-7C Standard Charger (US) 198-242 Vac	0675158
ACP-7X Standard Charger (UK) 207-253 Vac	0675145
ACP-7H Standard Charger (UK) 180-220 Vac	0675146
ACP-7A Standard Charger (AUS) 216-264 Vac	0675148
ACP-8E Travel Charger (EUR) 90-264 Vac	0272169
ACP-8K Travel Charger (Korea) 90-264 Vac	0273111
ACP-8X Travel Charger (UK) 90-264 Vac	0272172
ACP-8U Travel Charger (US) 90-264 Vac	0675196
ACP-8C Travel Charger (China) 90-264 Vac	0675211
ACP-8A Travel Charger (Australia) 90-264 Vac	0271637
LCH-9 Mobile Charger	0675120
PPH-1 Plug-in HF Car Kit	0272170
MBD-10 Mobile Holder	0272866 Eur/Afr 0273412 APAC
MKU-1 Mounting Plate	0620036
HHS-9 Swivel Mount	0620037
DCD-1 Desktop Stand	0272865
DDC-1 Battery Charging Stand	0272418
HFM-8 HF Microphone	0271503
HDD-1 Headset	0273302
HDC-5 Headset	0271467
HDE-2 Headset	0694075
LPS-3 Loopset	0272419

General Specifications of Transceiver NHM-7

Parameter	Unit
Cellular system	GSM900 and GSM1800
RX frequency band	EGSM: 925 ... 935 MHz GSM900 935 ... 960 MHz GSM1800 1805 ... 1880 MHz
TX frequency band	EGSM 880 ... 890 MHz GSM900 890 ... 915 MHz GSM1800 1710 ... 1785 MHz
Output power	GSM900 * +5 ...+33 dBm / 3.2 mW ... 2 W GSM1800 +0 ...+30 dBm / 1.0 mW ... 1 W
Duplex spacing	GSM900 * 45 MHz GSM1800 95 MHz
Number of RF channels	EGSM 50 GSM900 124 GSM1800 374
Channel spacing	200 kHz
Number of TX power levels	GSM900 * 15 GSM1800 16
Sensitivity, static channel	GSM900: -102 dBm GSM1800: -102 dBm (norm. cond. only)
Frequency error, static channel	< 0.1 ppm
RMS phase error	< 5.0 °
Peak phase error	< 20.0 °

*) applies also to EGSM